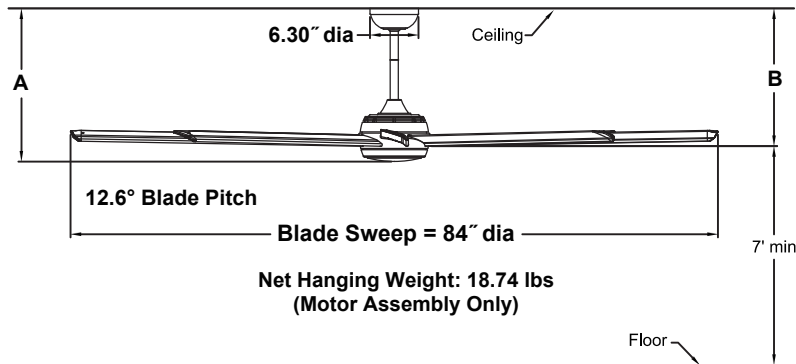


**STELLAR™**

# MAD7993\*\* 84" Ceiling Fan



	A	B
Fan w/12" downrod	20.15"	18.15"
Fan w/18" downrod	26.15"	24.15"
Fan w/24" downrod	32.15"	30.15"
Fan w/36" downrod	44.15"	42.15"
Fan w/48" downrod	56.15"	54.15"
Fan w/60" downrod	68.15"	66.15"
Fan w/72" downrod	80.15"	78.15"

**INSTALLATION REQUIREMENTS:**

Fan must be attached to a securely anchored electrical junction box capable of withstanding a load of at least 35 lbs.

**ELECTRICAL REQUIREMENTS:**

Requires a grounded electrical supply line of 120 volts AC, 60 Hz, 15 amp circuit.

**MOTOR SPECS:**

153 x 25 sensorless DC motor is designed for optimal performance with this fan.

**BLADES:**

A set of eight 39" aluminum blades—sold separately.

**LIGHTING OPTIONS:**

One 18-watt LED included.

**CONTROL OPTIONS:**

TR205 hand-held remote control is included. Push button remote control with variable fan speeds, fresh air, reverse, infinite light levels, fan/light timer, home away, safe exit and off button. Optional TW206 wall control is available—sold separately. Instructions are provided with each control.

**DOWNROD OPTIONS:**

Fan comes with 1" dia. x 12" long wet-location downrod (DR1SS-12). Optional wet-location downrods are available in 18", 24", 36", 48", 60", and 72" lengths. A downrod coupler is available for installations requiring a downrod longer than 72". Fan can be mounted on a sloped ceiling up to 27°. Most sloped ceiling installations require a downrod longer than the standard 12" downrod. Optional sloped ceiling ball kits (SCB1-52) are available for slope angles greater than 27° and up to 42°. Optional close-to-ceiling kit is available as well—sold separately. Call technical support for more information.

**LOCATION USE:**

Fan is rated for dry, damp and wet locations.

**Available Finishes****Fan / Housing**

BLW	Black with Silver Top Plastic Ring and bottom Glass Ring and Black Steel Cap
SLW	Silver with Black Top Plastic Ring and bottom Glass Ring and Silver Steel Cap

**Blades Options**

- Black with Silver Tips
- Silver with Black Tips

**Airflow / Energy Efficiency Info (120V)**

Fan Speed	Max RPM	CFM	CFM / Watts	Amps	Watts
High	72	13389	316	0.52	42
Med	51	9470	740	0.17	13
Low	29	5143	1664	0.06	3

**Energy Guide FTC**

Power (Watt)	Total Air Delivery (CFMave)	Estimated Yearly Energy Cost (\$)	Ceiling Fan Efficiency (CFM/W)
27	9427	8	346

**Light Bulb Information (120V)**

Bulb Type	Watts	QTY	Lumens Amount	Color Temp	CRI
LED	18	1	1400	3000	90%