

MONORAIL

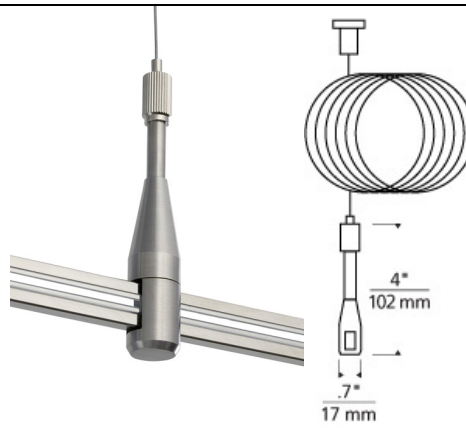
MonoRail Adjustable Standoff T20

DESCRIPTION

The adjustable standoff's cable virtually disappears for a clean and elegant look. It is best used on fairly straight runs with a drop greater than 6". A wire grip allows you to easily shorten or lengthen the cable to size it for use. Use standoff supports every three feet of MonoRail run and at corners. Standoffs can be positioned to cover points where rails are joined.

WEIGHT

0.25lb / 0.11kg ±



monorail
adjustable
standoff

ORDERING INFORMATION

700MOSADJ LENGTH (A)

144"
3 360"

FINISH

Z ANTIQUE BRONZE
S SATIN NICKEL



TECH LIGHTING®

7400 Linder Avenue
Skokie, Illinois 60077

T 847.410.4400
F 847.410.4500

Tech Lighting, L.L.C.

700MOSADJ _____

FIXTURE TYPE: _____

JOB NAME: _____

NOTES: _____



©2019 Tech Lighting, L.L.C. All Rights Reserved. The "Tech Lighting" graphic is a registered trademark of Tech Lighting, L.L.C. Tech Lighting reserves the right to change specifications for product improvements without notification.